

FLAPTOR



okamura



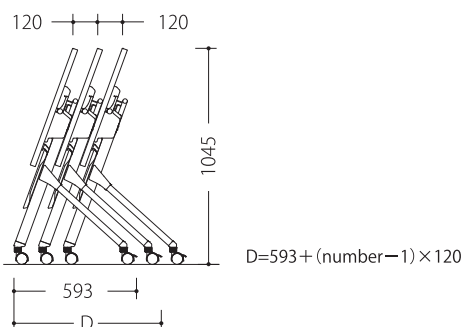
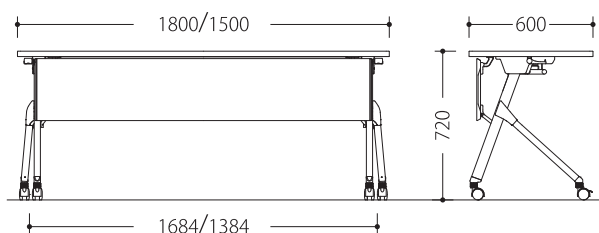
Tabletop Color :



White



Neo-wood Light



Materials :

- Tabletop surface : Laminated melamine
- Tabletop core : Particle board
- Tabletop edge : ABS
- Legs : Steel
- Modesty panel : PP
- Modesty edge : ABS

Specifications :

- Single motion flip-up mechanism
- Horizontal nesting
- Level adjustable casters
- Sophisticated square pipe design
- 60 kg load-bearing capacity on tabletop (uniformly distributed weight)

Environmental aspects :

Developed and manufactured through an ISO14001 managed operation. Main components are labeled and easy to disassemble to aid recycling.

Okamura uses environmentally friendly materials and modular designed parts. Additionally, major resin parts are tabled for easier recycling and disposal.

Variations :

With / without modesty panel



okamura

OKAMURA CORPORATION

International Sales & Marketing Div.
2-14-27, Akasaka, Minato-ku, Tokyo, 107-0052 JAPAN

Tel: +81-3-5561-4085 Fax: +81-3-5561-4086

<http://www.okamura.jp/>

The products listed in this catalog are available as of May 2012. Please note that specifications, dimensions, and colors are subject to change without notice. The colors of the actual products may differ somewhat from the colors shown in the catalog, depending on printing conditions.